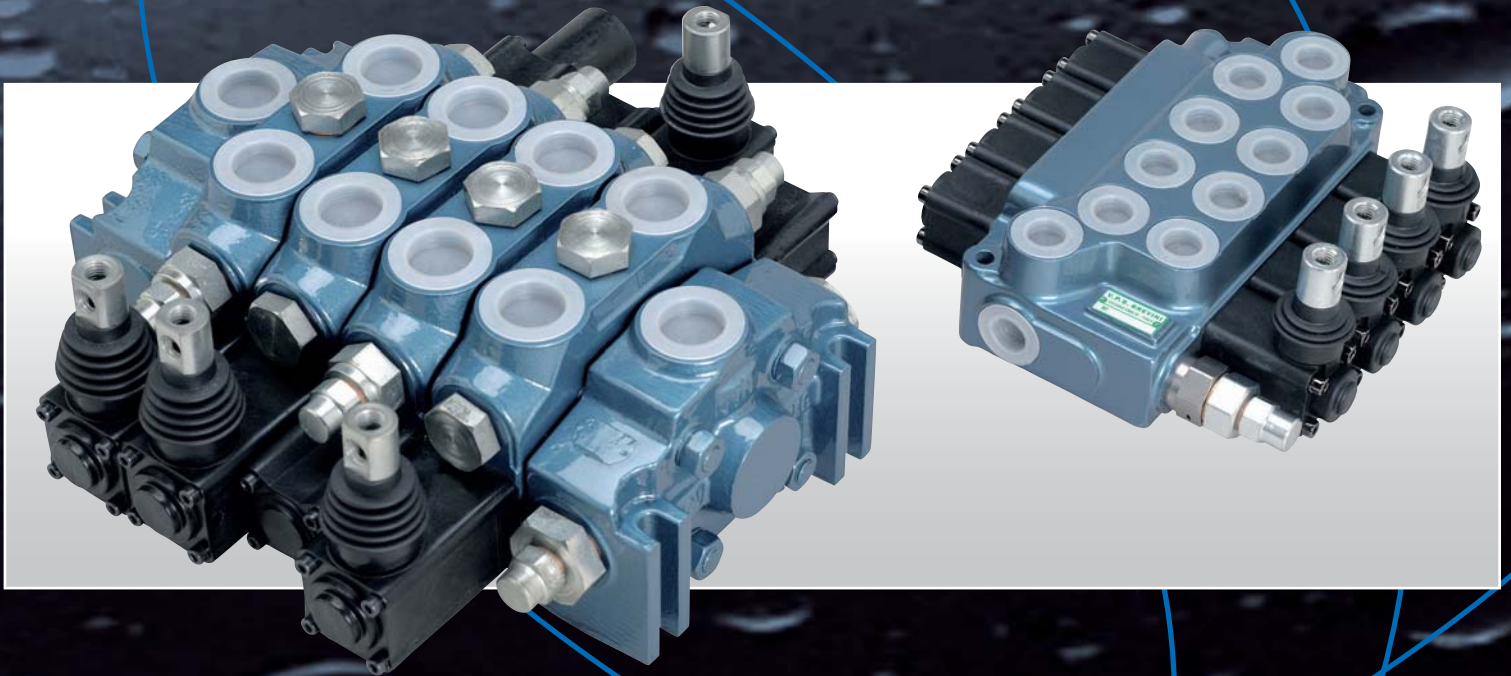


■ **MOBILE VALVES**
DISTRIBUTORI



CARATTERISTICHE GENERALI GENERAL SPECIFICATION

		DISTRIBUTORI MONOBLOCCO MONOBLOCK VALVES		DISTRIBUTORI COMPONENTI MODULAR VALVES				
		DCV 20	DCV 40	DCV 30	DCV 50	DCV 80	DCV MG	
Caratteristiche Features	N° max sezioni Max section	6	6	12	12	12	10	
	Portata l/min Max flow l/min	40	70	40	70	120	230	
	Portata GPM Max flow GPM	10.6	18.5	10.6	18.5	31.7	60.7	
	Pressione max BAR Max pressure BAR	400	400	350	350	350	350	
	Pressione max psi Max pressure psi	5800	5800	5075	5075	5075	5075	
Circuito Circuit	Parallelo Parallel	•	•	•	•	•	•	
	Serie Series			•	•	•	•	
	Tandem Tandem			•	•	•	•	
Valv.max press. Main relief	Diretta Direct	•	•	•				
	Pilotata Piloted				•	•	•	
Valvole ausiliarie Port relief	Antiurto Overload	•	•	•	•	•	•	
	Anticavitazione Anti cavitation			•	•	•	•	
	Combinata Combined			•	•	•	•	
Filettature Threads	BSP	3/8"	3/8" ÷ 1/2"	3/8"	1/2"	1/2" ÷ 3/4"	3/4" ÷ 1"	
	SAE	6	6 - 8	6	10	10 ÷ 12	16	
Corsa cursore Spool stroke	A ÷ B	mm	± 5	± 5	± 5	± 5	± 7	± 8
		inch	± 0.20	± 0.20	± 0.20	± 0.20	± 0.28	± 0.31
	4a posizione 4th position	mm	- 4	- 4	- 4	- 5	- 5.5	- 5.5
		inch	- 0.16	- 0.16	- 0.16	- 0.20	- 0.22	- 0.22
	Serie Series	mm	—	—	± 4	± 5	± 5.5	± 8
		inch			± 0.16	± 0.20	± 0.22	± 0.31

Distributori monoblocco *Monoblock valves*

DCV 20 - DCV 40



DISTRIBUTORE
DIRECTIONAL CONTROL VALVE

MODELLO
MODEL

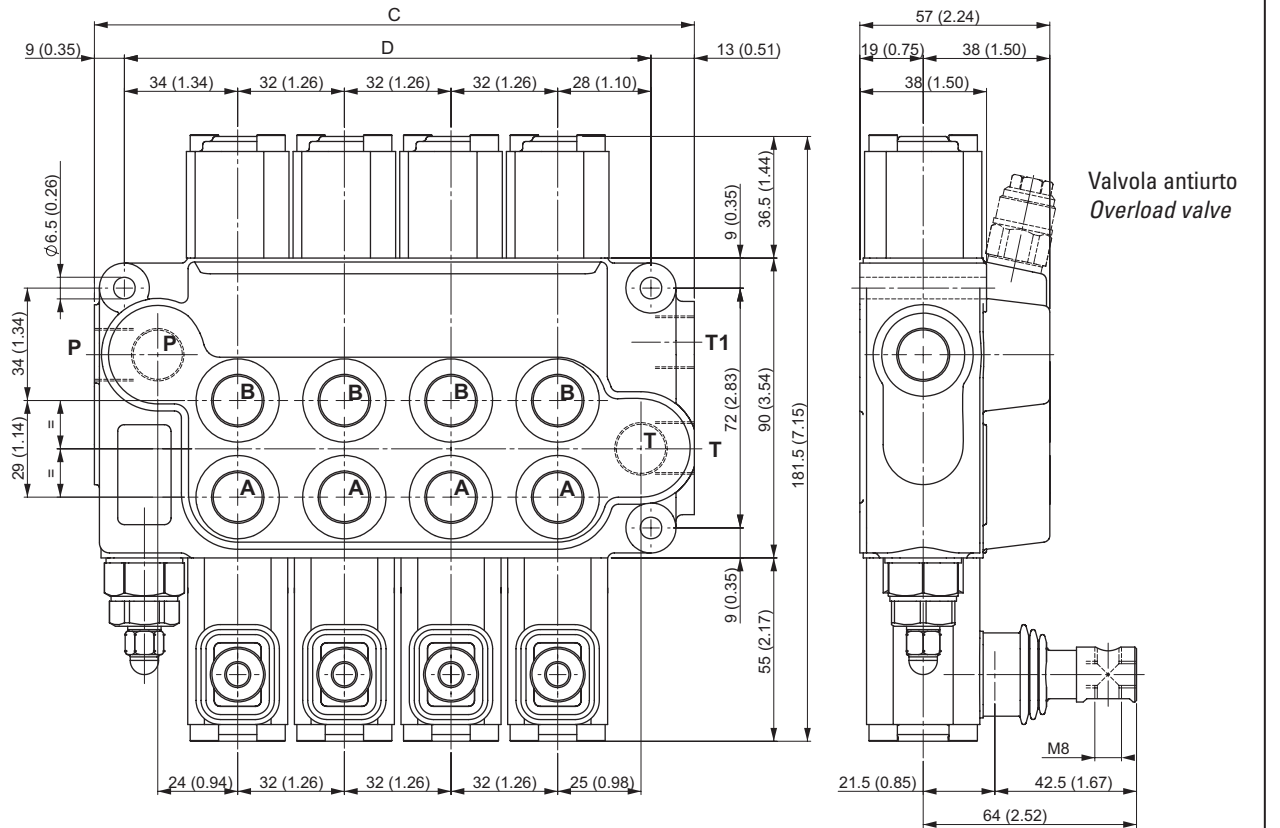
DCV 20

PORTATA
FLOW

40 l/min
10.6 GPM

PRESSIONE MAX
MAX PRESSURE

400 BAR
5800 PSI



(...) = inches

DISTRIBUTORE TIPO TYPE OF VALVE	QUOTE VARIABILI - VARIABLE DIMENSIONS					
	C		D		PESO - WEIGHT	
	mm	inch	mm	inch	kg	lb
DCV 20/1	80	3.15	62	2.44	2.10	4.62
DCV 20/2	112	4.41	94	3.70	3.25	7.15
DCV 20/3	144	5.67	126	4.96	4.35	9.57
DCV 20/4	176	6.93	158	6.22	5.45	11.99
DCV 20/5	208	8.19	190	7.48	6.55	14.41
DCV 20/6	240	9.45	222	8.74	7.65	16.83

**DISTRIBUTORE
DIRECTIONAL CONTROL VALVE**

**MODELLO
MODEL**

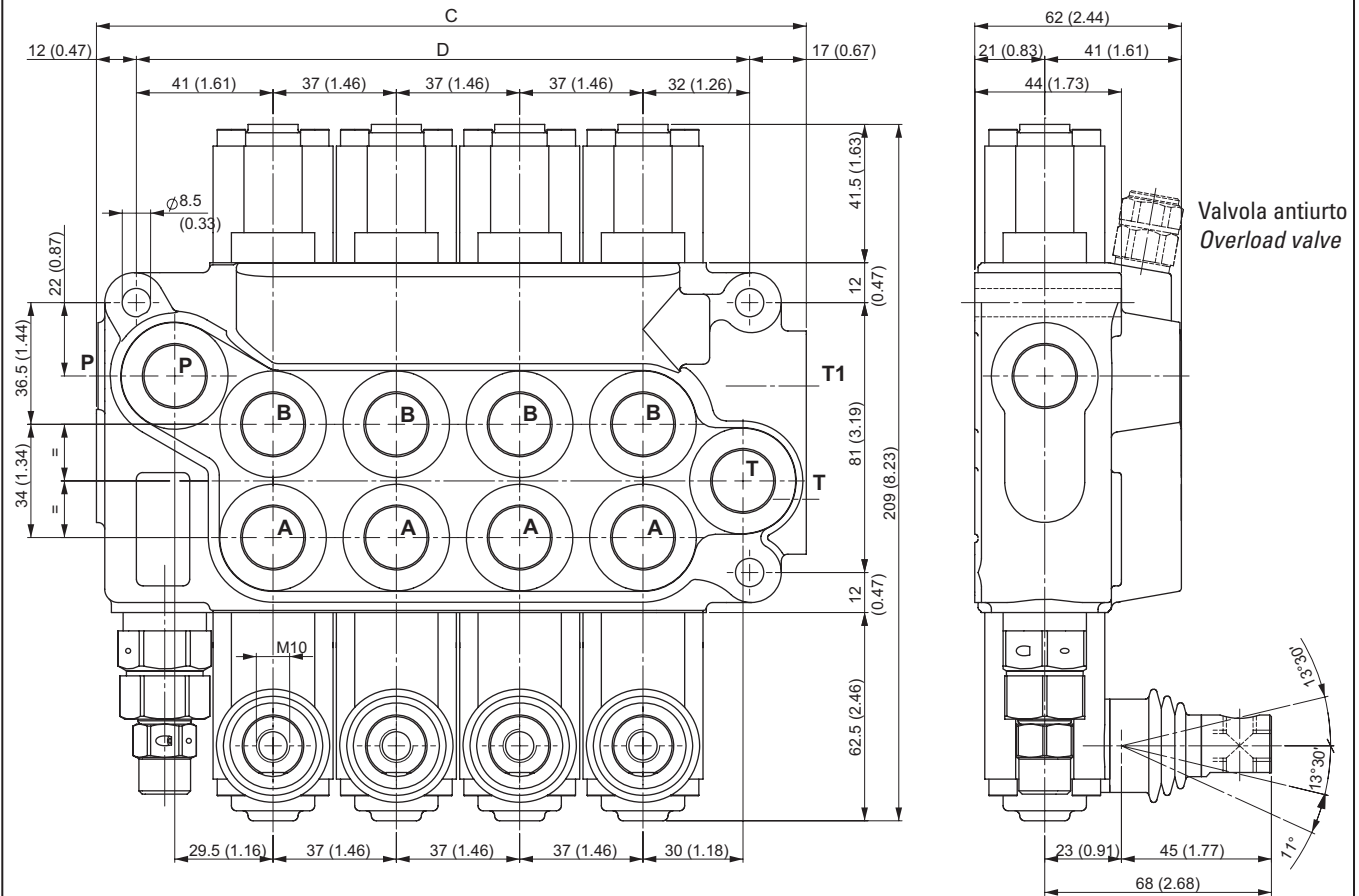
DCV 40

PORTATA
FLOW

**70 l/min
18.5 GPM**

PRESSIONE MAX
MAX PRESSURE

**400 BAR
5800 PSI**



(...) = inches

DISTRIBUTORE TIPO TYPE OF VALVE	QUOTE VARIABILI - VARIABLE DIMENSIONS					
	C		D		PESO - WEIGHT	
	mm	inch	mm	inch	kg	lb
DCV 40/1	102	4.02	73	2.87	3.57	7.85
DCV 40/2	139	5.47	110	4.33	5.45	11.99
DCV 40/3	176	6.93	147	5.79	7.30	16.06
DCV 40/4	213	8.39	184	7.24	9.15	20.13
DCV 40/5	250	9.84	221	8.70	11.00	24.20
DCV 40/6	287	11.30	258	10.16	12.85	28.27

Distributori componibili
Modular valves

DCV 30 - DCV 50
DCV 80 - DCV MG

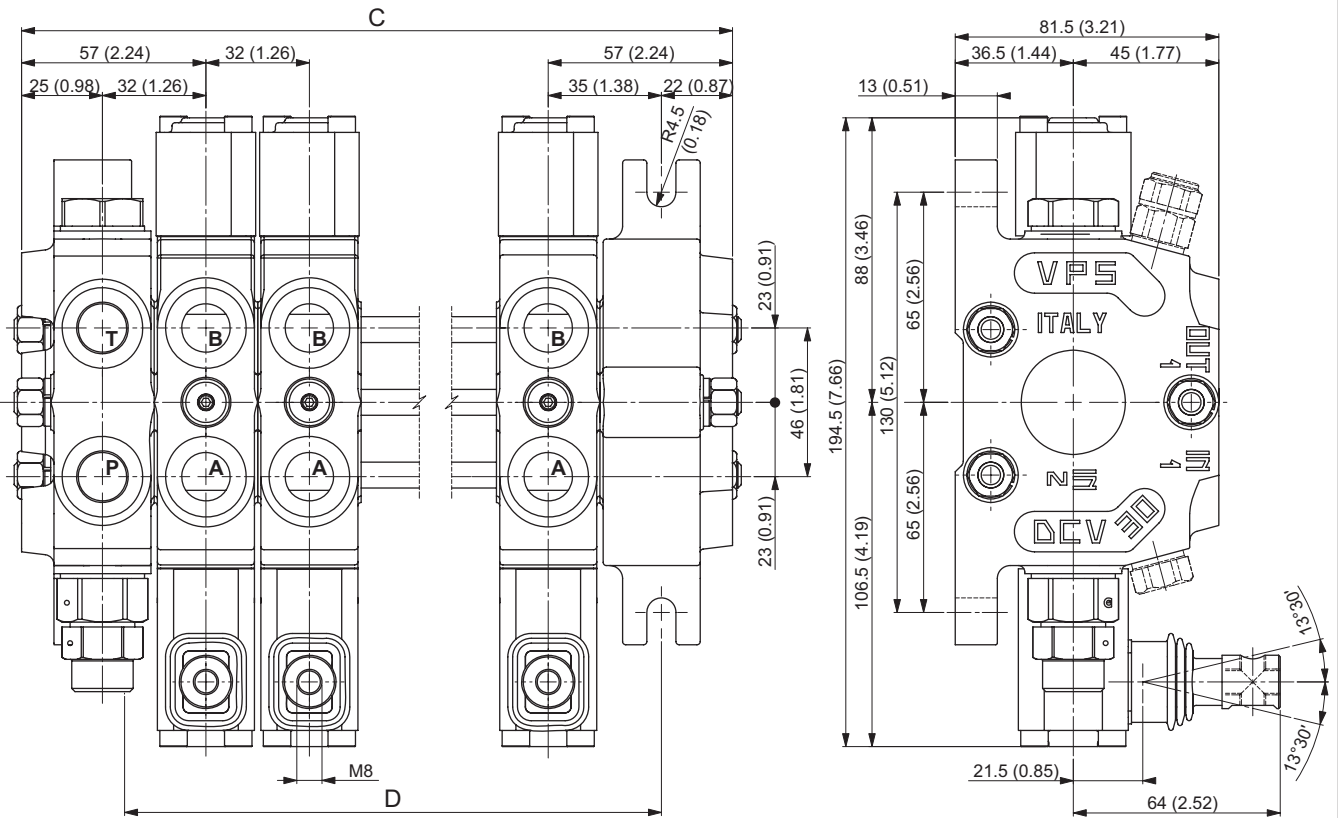


DISTRIBUTORE Componibile
MODULAR VALVE
MODELLO
MODEL
DCV 30

 PORTATA
 FLOW

40 l/min
10.6 GPM

 PRESSIONE MAX
 MAX PRESSURE

350 BAR
5075 PSI

 Coppia di serraggio dei tiranti
 Tie-rod tightening torque

35 Nm

(...) = inches

DISTRIBUTORE TIPO TYPE OF VALVE	QUOTE VARIABILI - VARIABLE DIMENSIONS					
	C		D		PESO - WEIGHT	
	mm	inc	mm	inc	kg	lb
DCV 30/1	114	4.49	70	2.76	4.70	10.34
DCV 30/2	146	5.75	102	4.02	6.40	14.08
DCV 30/3	178	7.01	134	5.28	8.10	17.82
DCV 30/4	210	8.27	166	6.54	9.80	21.56
DCV 30/5	242	9.53	198	7.80	11.50	25.30
DCV 30/6	274	10.79	230	9.06	13.20	29.04
DCV 30/7	306	12.05	262	10.31	14.90	32.78
DCV 30/8	338	13.31	294	11.57	16.60	36.52
DCV 30/9	370	14.57	326	12.83	18.30	40.26
DCV 30/10	402	15.83	358	14.09	20.00	44.00
DCV 30/11	434	17.09	390	15.35	21.70	47.74
DCV 30/12	466	18.35	422	16.61	23.40	51.48

**DISTRIBUTORE COMPONIBILE
MODULAR VALVE**

**MODELLO
MODEL**

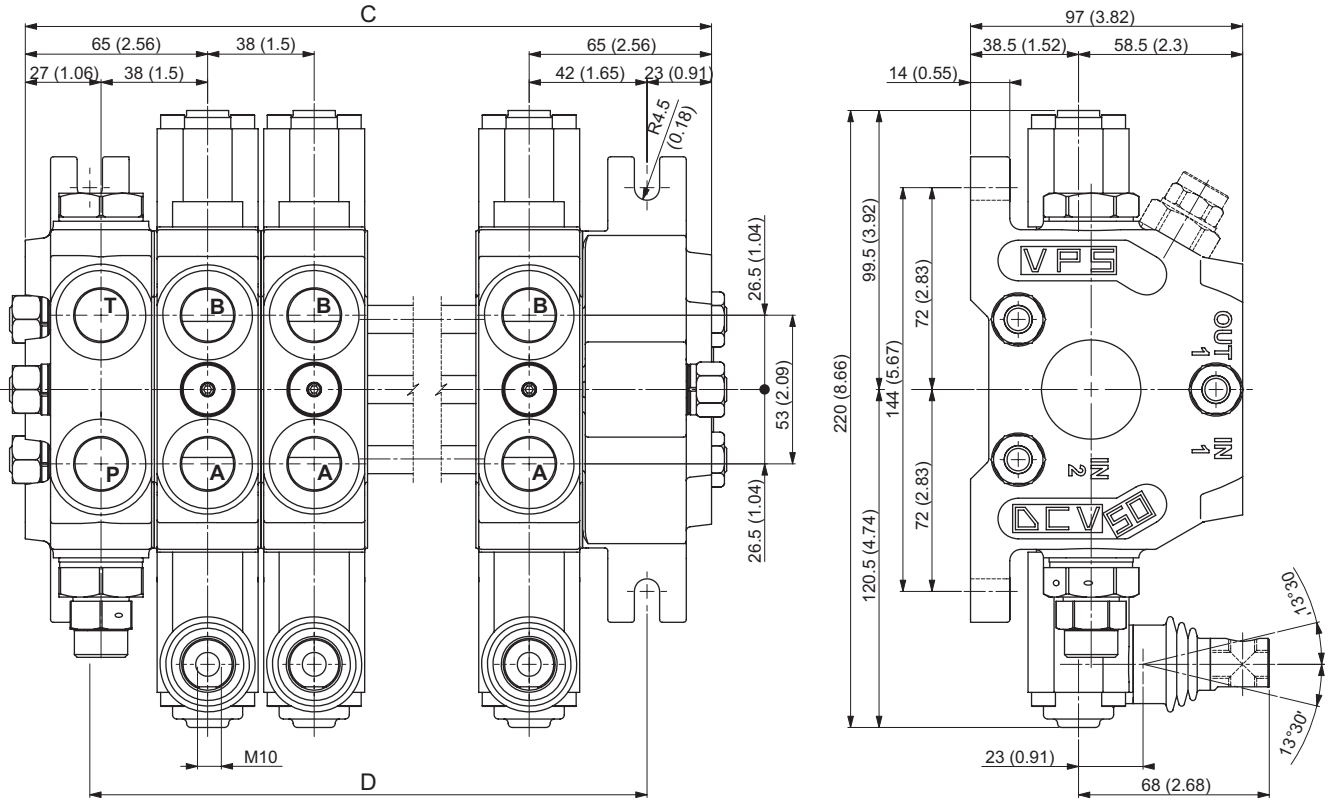
DCV 50

PORTATA
FLOW

**70 l/min
18.5 GPM**

PRESSIONE MAX
MAX PRESSURE

**350 BAR
5075 PSI**



Coppia di serraggio dei tiranti
Tie-rod tightening torque

55 Nm

(...) = inches

DISTRIBUTORE TIPO TYPE OF VALVE	QUOTE VARIABILI - VARIABLE DIMENSIONS					
	C		D		PESO - WEIGHT	
	mm	inc	mm	inc	kg	lb
DCV 50/1	130	5.12	84	3.31	7.00	15.40
DCV 50/2	168	6.61	122	4.80	9.60	21.12
DCV 50/3	206	8.11	160	6.30	12.20	26.84
DCV 50/4	244	9.61	198	7.80	14.80	32.56
DCV 50/5	282	11.10	236	9.29	17.40	38.28
DCV 50/6	320	12.60	274	10.79	20.00	44.00
DCV 50/7	358	14.09	312	12.28	22.60	49.72
DCV 50/8	396	15.59	350	13.78	25.20	55.44
DCV 50/9	434	17.09	388	15.28	27.80	61.16
DCV 50/10	472	18.58	426	16.77	30.40	67.88
DCV 50/11	510	20.08	464	18.27	33.00	72.60
DCV 50/12	548	21.57	502	19.76	35.60	78.32

**DISTRIBUTORE COMPONIBILE
MODULAR VALVE**

**MODELLO
MODEL**

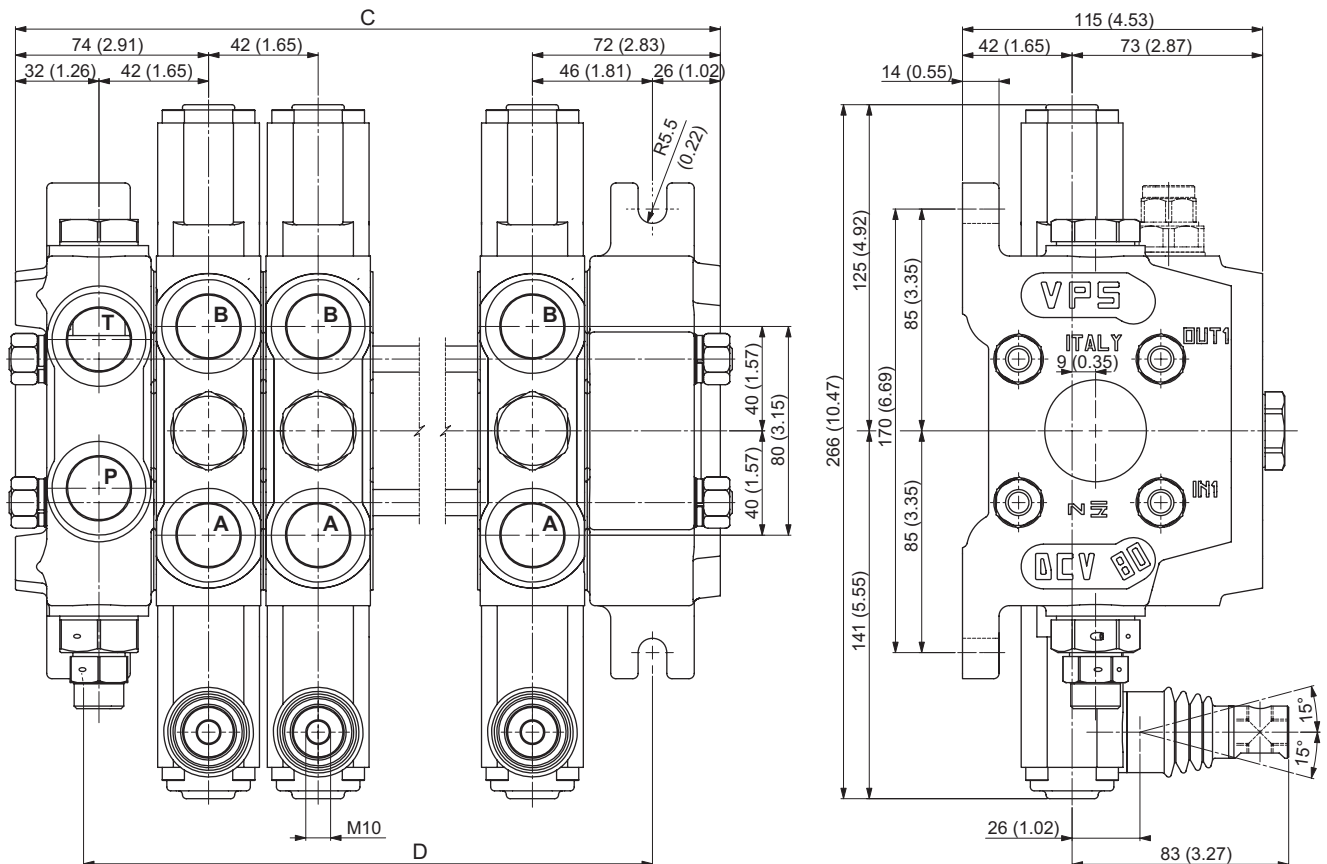
DCV 80

PORTATA
FLOW

**120 l/min
31.7 GPM**

PRESSIONE MAX
MAX PRESSURE

**350 BAR
5075 PSI**



Coppia di serraggio dei tiranti
Tie-rod tightening torque

55 Nm

(...) = inches

DISTRIBUTORE TIPO TYPE OF VALVE	QUOTE VARIABILI - VARIABLE DIMENSIONS					
	C		D		PESO - WEIGHT	
	mm	inc	mm	inc	kg	lb
DCV 80/1	144	5.67	92	3.62	9.80	21.56
DCV 80/2	186	7.32	134	5.28	13.70	30.14
DCV 80/3	228	8.98	176	6.93	17.60	38.72
DCV 80/4	270	10.63	218	8.58	21.50	47.30
DCV 80/5	312	12.28	260	10.24	25.40	55.88
DCV 80/6	354	13.94	302	11.89	29.30	64.46
DCV 80/7	396	15.59	344	13.54	32.20	70.84
DCV 80/8	438	17.24	386	15.20	37.10	81.62
DCV 80/9	480	18.90	428	16.85	41.00	90.20
DCV 80/10	522	20.55	470	18.50	44.90	98.78
DCV 80/11	564	22.20	512	20.16	48.80	107.36
DCV 80/12	606	23.86	554	21.81	52.70	115.94

**DISTRIBUTORE COMPONIBILE
MODULAR VALVE**

**MODELLO
MODEL**

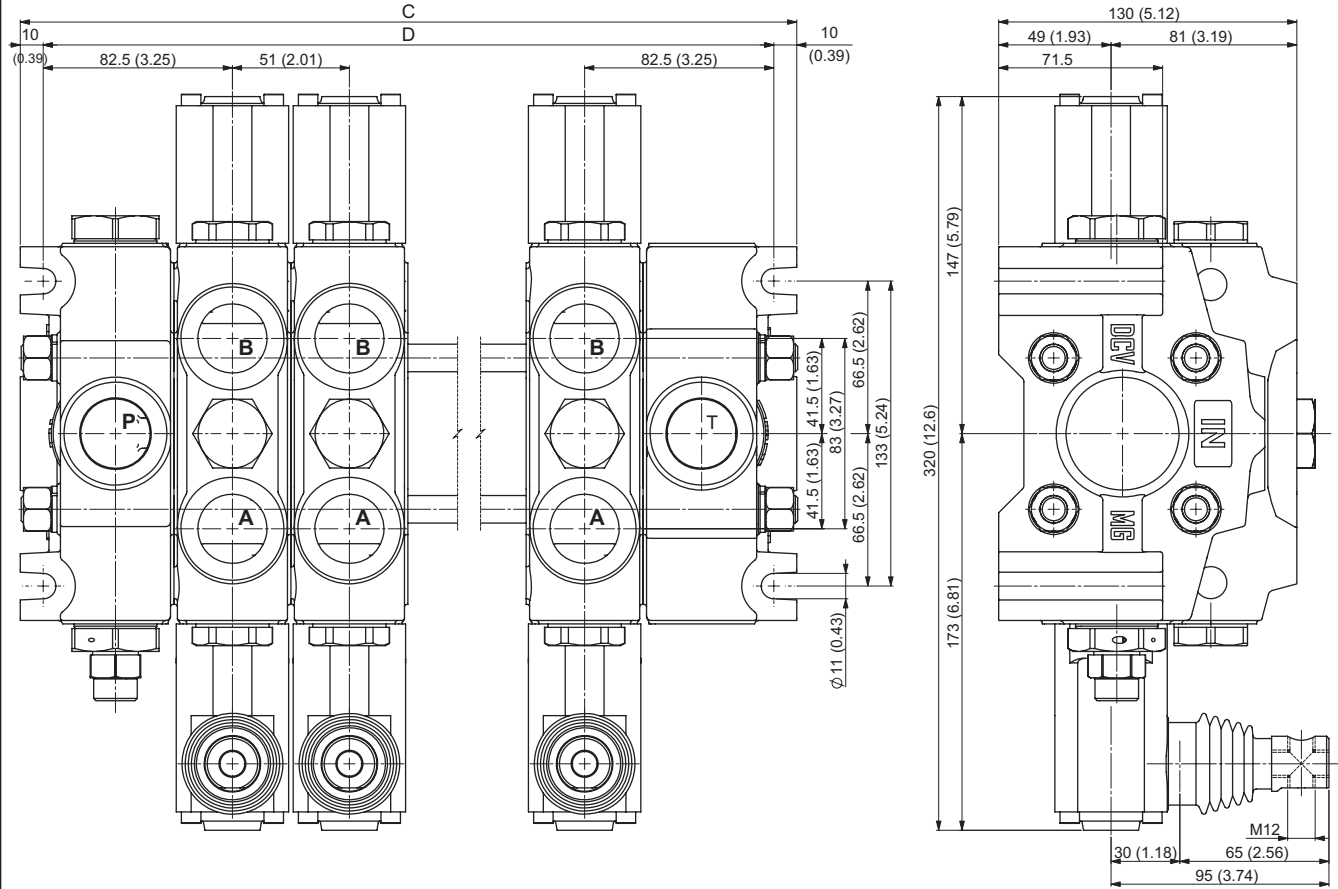
DCV MG

PORTATA
FLOW

**230 l/min
60.7 GPM**

PRESSIONE MAX
MAX PRESSURE

**350 BAR
5075 PSI**



Coppia di serraggio dei tiranti
Tie-rod tightening torque

75 Nm

(...) = inches

DISTRIBUTORE TIPO TYPE OF VALVE	QUOTE VARIABILI - VARIABLE DIMENSIONS					
	C		D		PESO - WEIGHT	
	mm	inc	mm	inc	kg	lb
DCV MG/1	185	7.28	165	6.50	16.00	35.20
DCV MG/2	236	9.29	216	8.50	22.60	49.72
DCV MG/3	287	11.30	267	10.51	29.20	64.24
DCV MG/4	338	13.31	318	12.52	35.80	78.76
DCV MG/5	389	15.31	368	14.49	42.40	93.28
DCV MG/6	440	17.32	420	16.54	49.00	107.80
DCV MG/7	491	19.33	461	18.15	55.60	122.32
DCV MG/8	542	21.34	522	20.55	62.20	136.84
DCV MG/9	593	23.35	573	22.56	68.80	151.36
DCV MG/10	644	25.35	624	24.57	75.40	165.88
DCV MG/11	695	27.36	675	26.57	82.00	180.40
DCV MG/12	746	29.37	726	28.58	88.60	194.92



Factory:

Via Matteotti, 47

40064 Ozzano Emilia (BO) - Italy

Tel. +39 051 790427 - 790439 - 6511530

Fax +39 051 6511529

www.vpsbrevini.com - info@vpsbrevini.com

 VPS TEC GEN IE0 1108



Via Natta, 1

42100 Reggio Emilia - Italy

Tel. +39 0522 748700

Fax +39 0522 748750

www.brevinifluidpower.com

sales.ind@brevinifluidpower.com